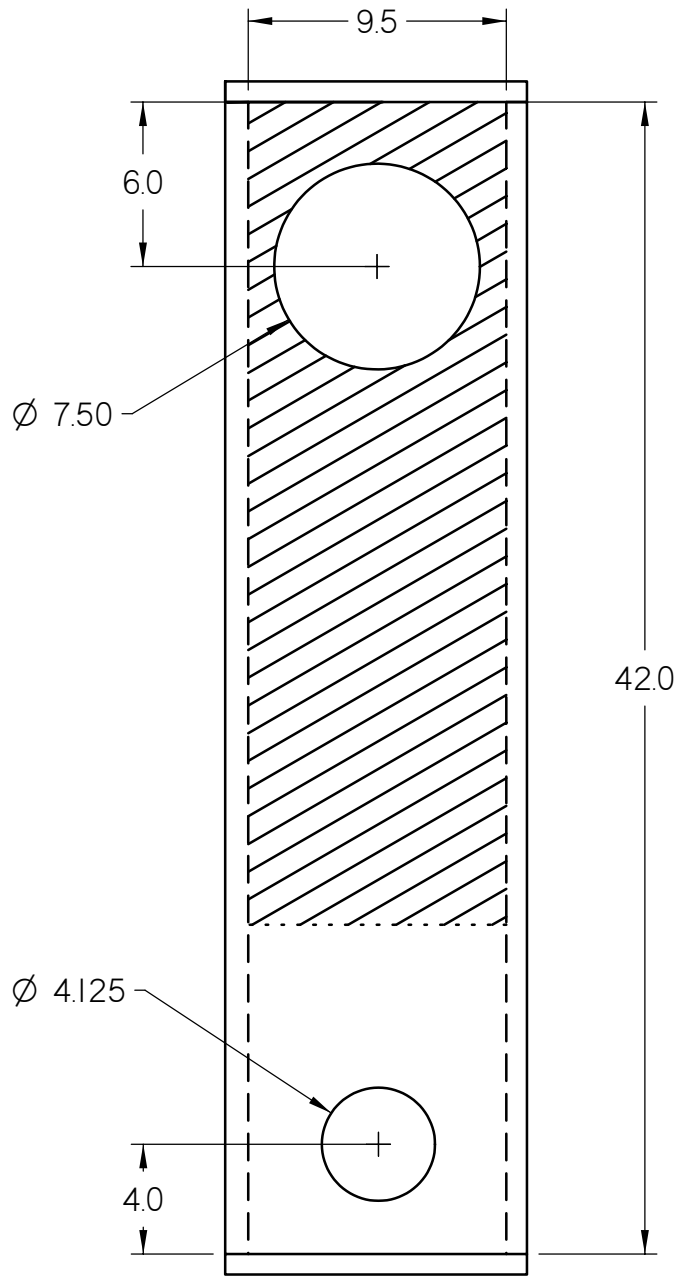
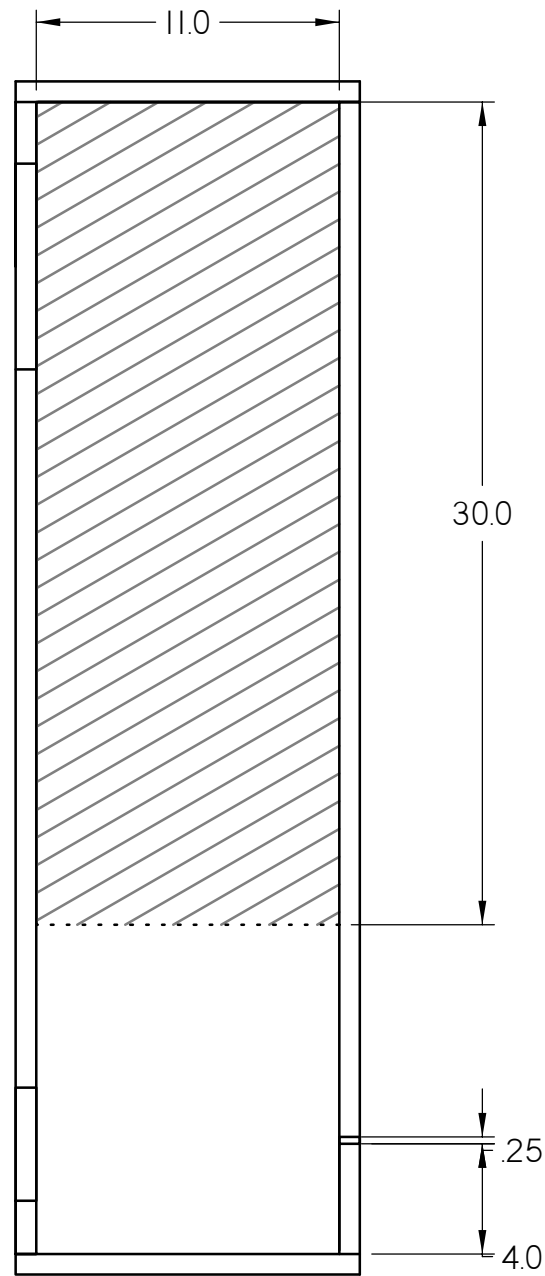


Lowther DX Series of Drivers in a Mass Loaded Transmission Line

MJ King
5/03/03



Front View



Side View

Notes :

- Plywood = 3/4 inch Thick
- All joints made with biscuits
- Dacron Hollofil II Fiber
- Stuffing Density = 0.25 lb/ft³
- Stuff top of cabinet only
- Port Diameter = 4.0 inches
- Port length = 2.0 inches
- Cabinet 1st mode ~ 45 Hz
- All dimensions are in inches
- Inside dimensions shown

Two 1/4 inch terminal holes