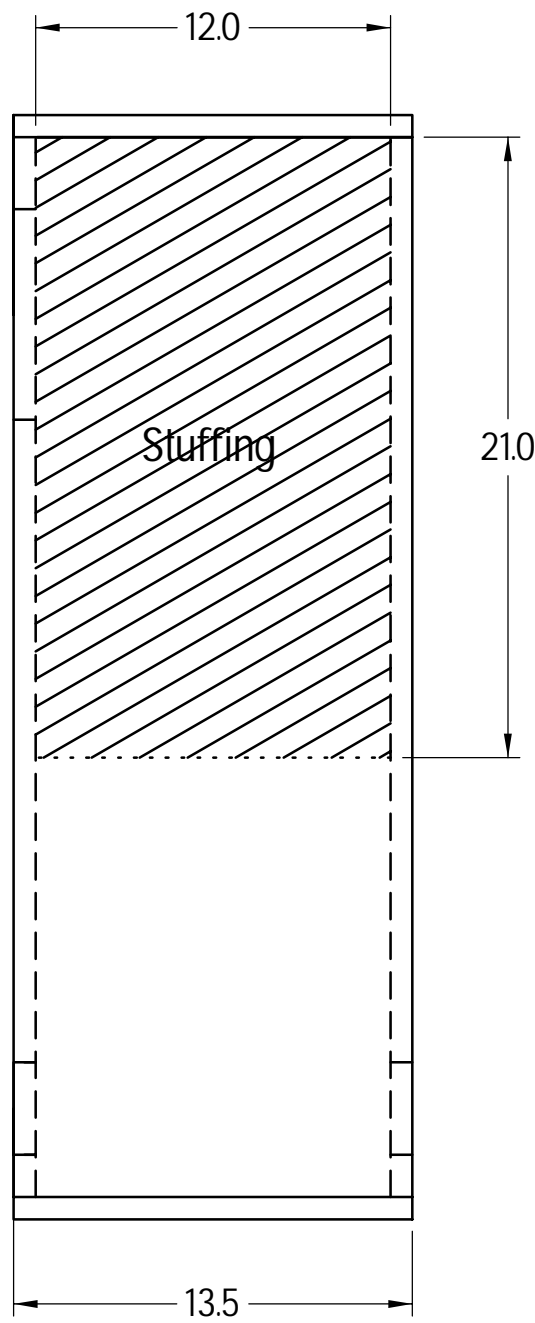
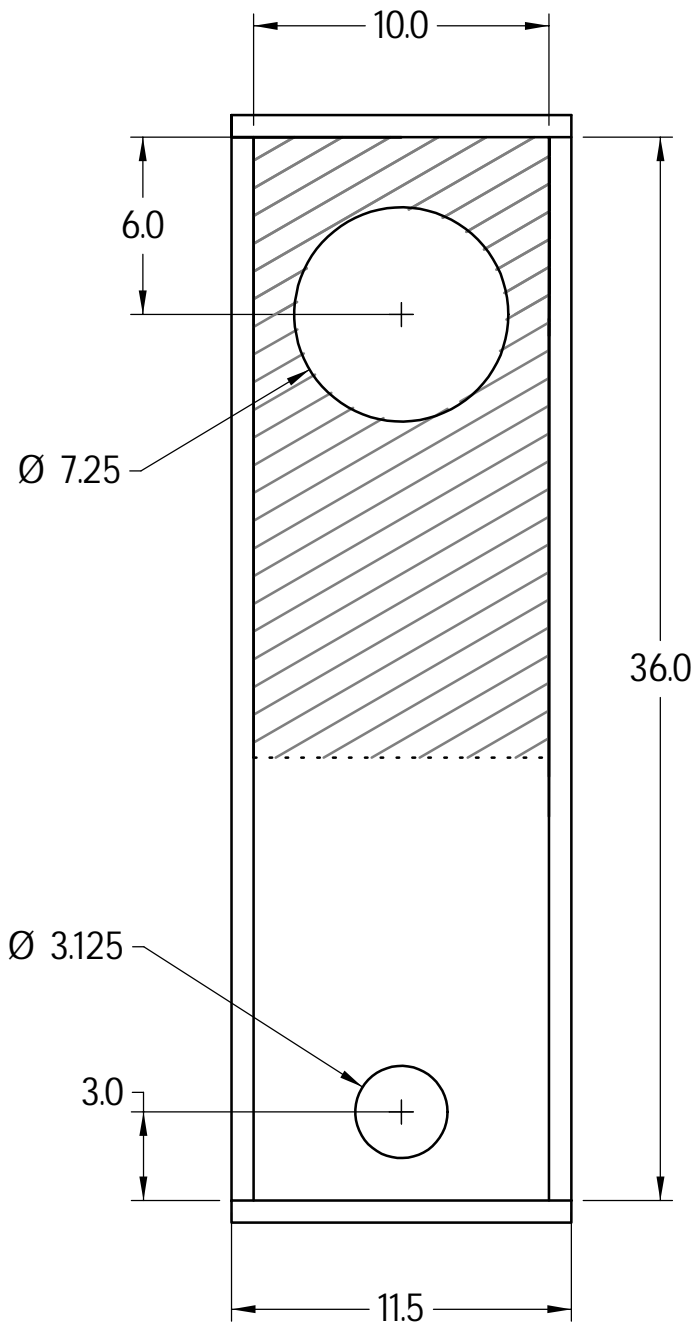


# Fostex FE-208 Sigma in a Mass Loaded Transmission Line

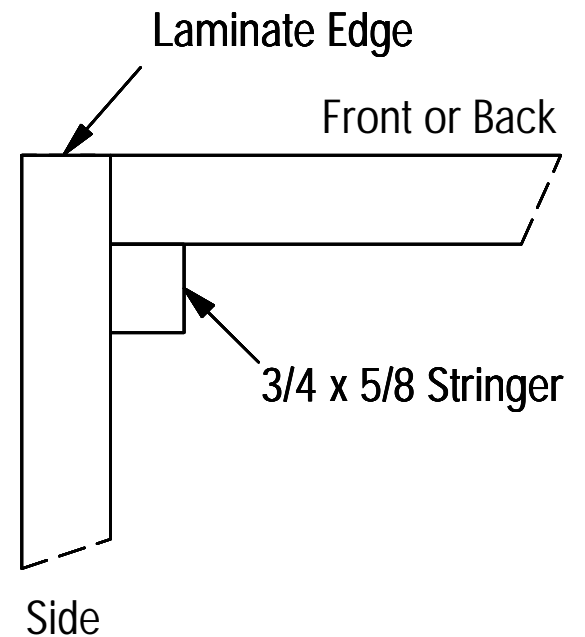
MJ King  
7/21/02



## Notes :

- Plywood = 3/4 inch Thick
- Dacron Hollofil II Fiber
- Stuffing Density = 0.2 lb/ft\*\*3
- Stuff top of cabinet only
- Port length = 2.0 inches
- Cabinet 1st mode ~ 40 Hz
- All dimensions are in inches
- Inside dimensions shown

## Corner Details :



Front View

Side View